

ELRO®

brands you trust.



Technical Datasheet ELRO® Series IP and XP Peristaltic Pumps

CRANE

Crane ChemPharma & Energy

www.elropumps.com
www.cranecpe.com

Features and Benefits

For over 25 years ELRO® Peristaltic Pumps in form of mobile and stationary units have established themselves in the positive displacement pump market as indispensable products for industry. Day in and day out these pumps demonstrate their reliability and efficiency under the most demanding operational conditions.

Over decades the range of peristaltic pumps has been completed by intensive research, development and the use of new materials. The product range includes a wide material selection of pumping hoses for any application.

Key Features

- ❶ Dry suction lift up to 9,5m (hydrostatic head) without any additional accessories
- ❷ Lowest product degradation through low shear stress especially of viscous, abrasive and shear sensitive media
- ❸ Hose is the solitary wetted wear part

Sizes

Type	100	200	400	600	800
IP	●	●	●	●	●
XP	-	●	●	-	●

Type IP	IP100	IP200	IP400	IP600	IP800
Dry suction height (mWs)	9,5				
Internal hose diameter (mm)	15	30	50	60	70
Weight (kg)	46	52	157	348	620

Type XP	XP200	XP400	XP800
Dry suction height (mWs)	9,5		
Internal hose diameter (mm)	35	63	91
Weight (kg)	60	176	693



Type IP200



Type XP200



Type IP400



Type XP400

Features and Benefits

Applications

- Chemical industry
- Breweries
- Power stations
- Waste and disposal industry
- Colour and painting industry
- Ceramic and porcelain industry
- Construction industry

Temperature

Product wetted interior	Temperature range (°C)
NR	-20 to +80
NR (Food)*	-20 to +80
NBR	-10 to +80
NBR (Food)**	-10 to +80
CSM	-20 to +80
EPDM*	-30 to +80

*only for IP range

**only for XP range

Connection Materials

Type	IP	XP
Stainless Steel (1.4571)	●	●
Polypropylene (PP)	●	●
Polyvinylidene fluoride (PVDF)	●	●
Polypropylene (electr. conductive)	●	-

Marking and Identification

The pumps are provided with a nameplate containing the pump code, serial number, date of manufacture, and maximum allowed temperature and pressure.

The ELRO® pump code provides all relevant information about the pump, performance, materials and accessories. This allows for accurate linkage to spare parts.

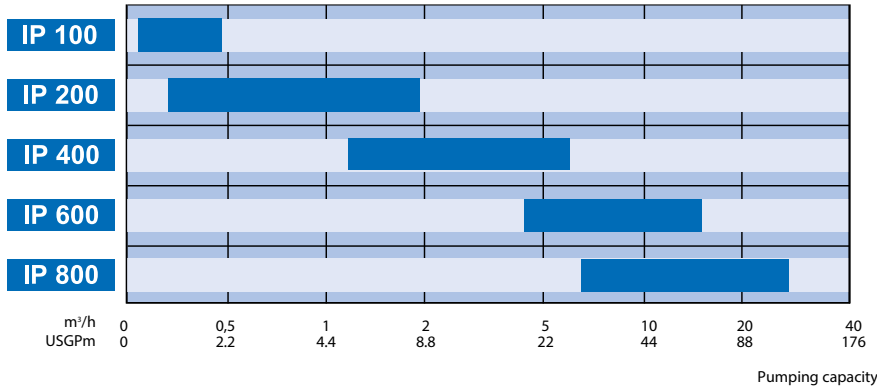
Applied Guidelines

- EC directives: Machinery Directive 2006/42/EC
- Low voltage directive 2006/95/EC
- EMC directive 2004/108/EC
- Harmonized standards:
 - EN ISO 12100:2011-03
 - EN ISO 13857:2008-06
 - EN 809:2012-10
 - EN 13463-1:2009-07
 - EN 13463-5:2011-10
- Eurasian Conformity
- ATEX-compliant in accordance with directive 94/9/EC II 2G c IIA T3 (only for IP range)



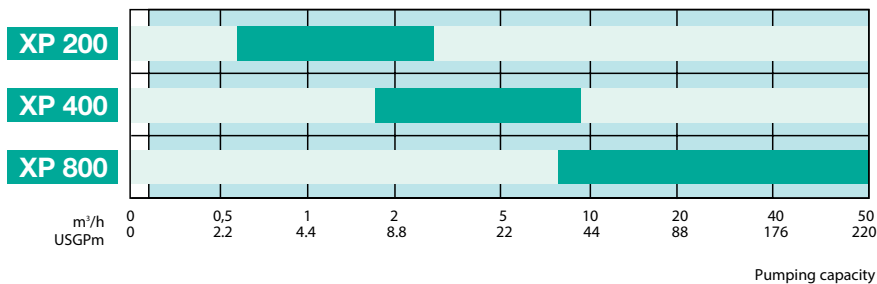
Pump Capacity and Hose Materials

Pump capacity type IP



The graphical presentation is for orientation only.

Pump capacity type XP



The graphical presentation is for orientation only.

Hose Materials

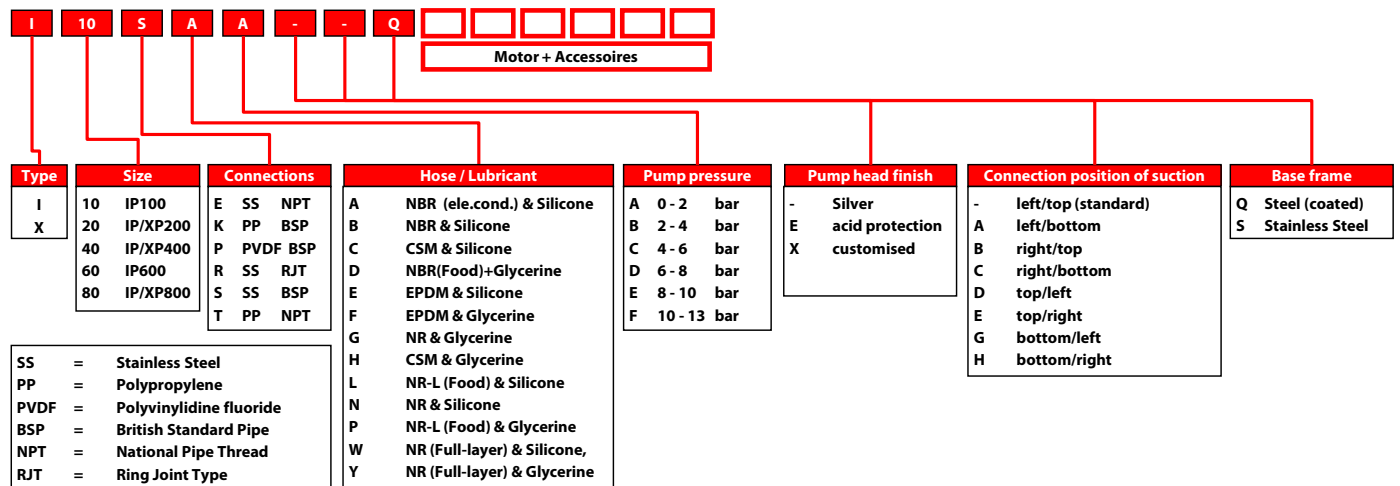
Hoses	
NR	Composition: natural substance, high-polymer isoprenes Properties: tension-resistant, elastic, cold-resistant, approved for food applications Operative range: for abrasive media, diluted acids and alkalis
NBR	Composition: mixed polymeride from butadiene and acryl nitrile Properties: wear-resistant, grease and oil resistant Operative range: for oily and greasy media, alcohols
CSM	Composition: elastomer formed through polymerisation of chlorosulfonated ethyls Properties : chemical resistant, wear resistant Operative range: for acids and alkalis, colours
EPDM	Composition: EPDM rubber through co-polymerisation of ethyl, propylene and diene Properties : chemical resistant, good insulating properties and outside applications Operative range: for acids and alkalis, hot water

Possible Installations

ELRO® peristaltic pumps with accessories can be used for many applications and are not restricted to a specific installation location. The standard version of the pump set-up is the combination: ports on left-hand side.

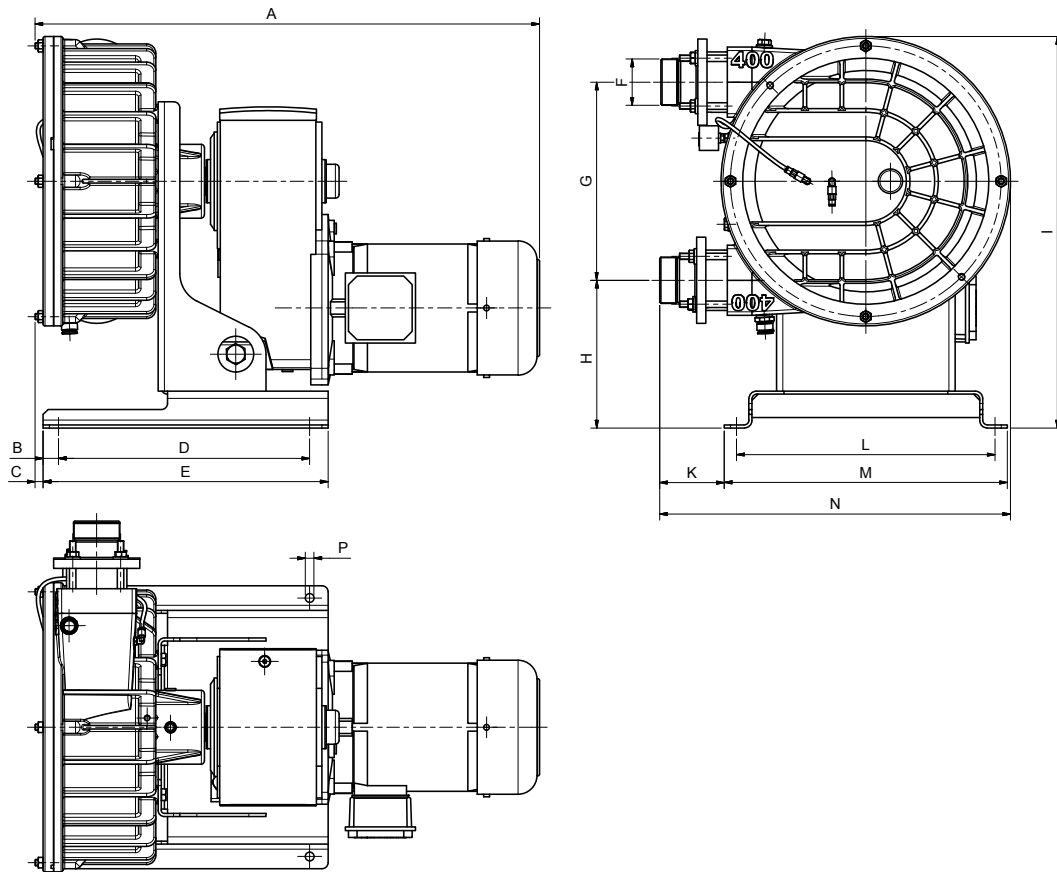
Of course, the IP series peristaltic pumps may be adapted to existing installations by modification of the port configuration. This only requires the relocation of the stainless steel pipe connections on the suction and discharge side of the vacuum system to suit the desired condition. This can be done without additional machining. Products of series XP are designed with feed and return flow as standard.

Pump Coding



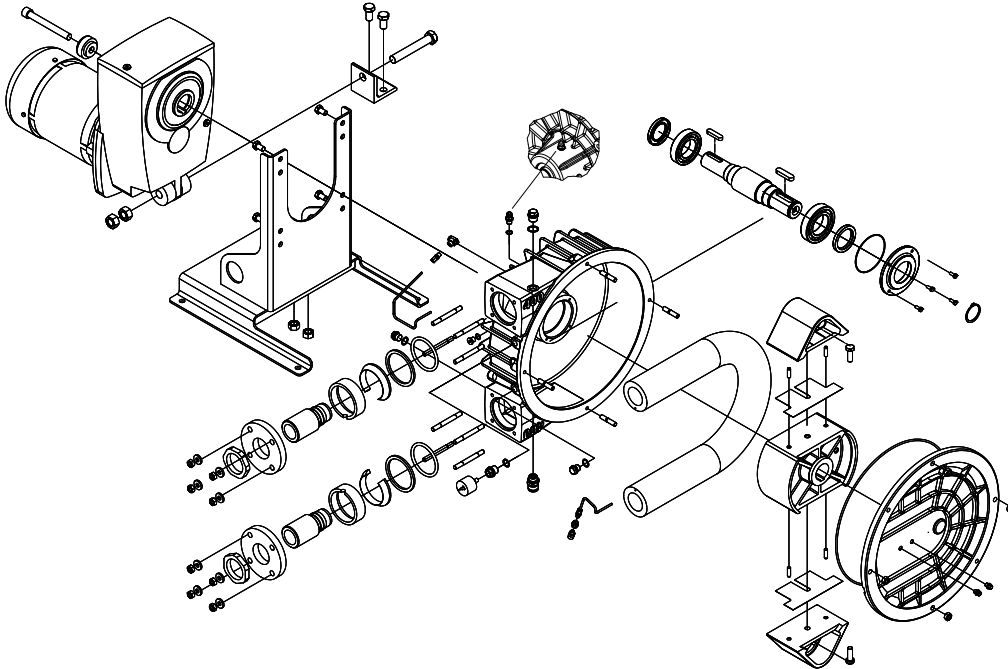
Dimensions

Type IP/XP

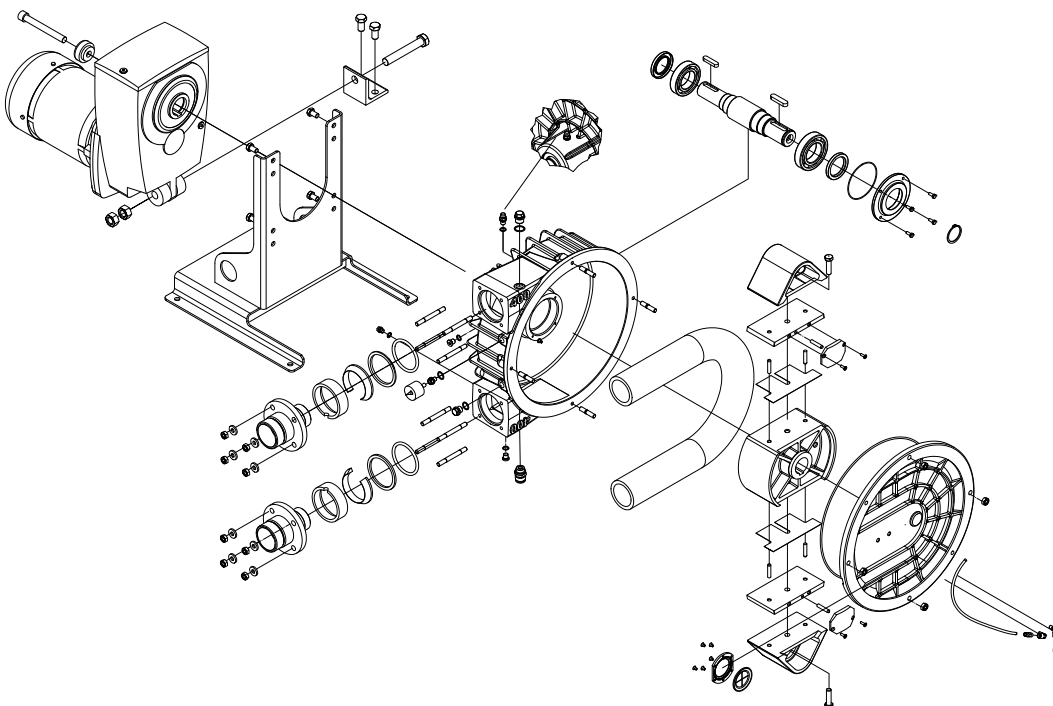


Dimensions	max. Dimension (mm)				
	IP 100	IP/XP 200	IP/XP 400	IP 600	IP/XP 800
A	643	665	820	1128	1366
B	15	15	25	35	45
C	8	13	13	31	27
D	355	355	408	493	610
E	385	385	463	563	700
F (IP)	G 1	G 1 ¼	G 2	G 2 ½	G 3
F (XP)		G 1 ½	G 2 ½		G 4
G	152	140	320	510	692
H	167	161	240	226	268
I	364	364	636	821	1059
K	52	52	105	119	158
L	262	262	420	640	780
M	288	288	460	700	840
N	316	316	570	809	1020
P	11	11	14	22	26

Exploded view type IP



Exploded view type XP



ELRO®

Crane ChemPharma & Energy

Crane Process Flow Technologies GmbH

Heerdter Lohweg 63-71

40549 Düsseldorf, Germany

Tel.: +49 211 5956-0

Fax.: +49 211 5956-111

www.cranecpe.com

www.elropumps.com

CRANE®



brands you trust.



CPE-ELRO-IP_XP-TD-EN-A4-2015_08_01
Edition 08/2015

Crane Co., and its subsidiaries cannot accept responsibility for possible errors in catalogues, brochures, other printed materials, and website information. Crane Co. reserves the right to alter its products without notice, including products already on order provided that such alteration can be made without changes being necessary in specifications already agreed. All trademarks in this material are property of the Crane Co. or its subsidiaries. The Crane and Crane brands logotype, in alphabetical order, (ALOYCO®, CENTER LINE®, COMPAC-NOZ®, CRANE®, DEPA®, DUO-CHEK®, ELRO®, FLOWSEAL®, JENKINS®, KROMBACH®, NOZ-CHEK®, PACIFIC VALVES®, RESISTOFLEX®, REVO®, SAUNDERS®, STOCKHAM®, TRIANGLE®, UNI-CHEK®, WTA®, and XOMOX®) are registered trademarks of Crane Co. All rights reserved.